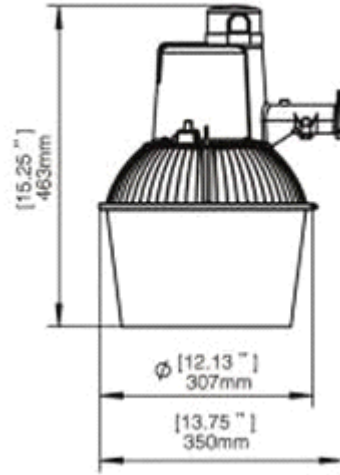


Model:SS-SL-12INCH-60W



Feature:

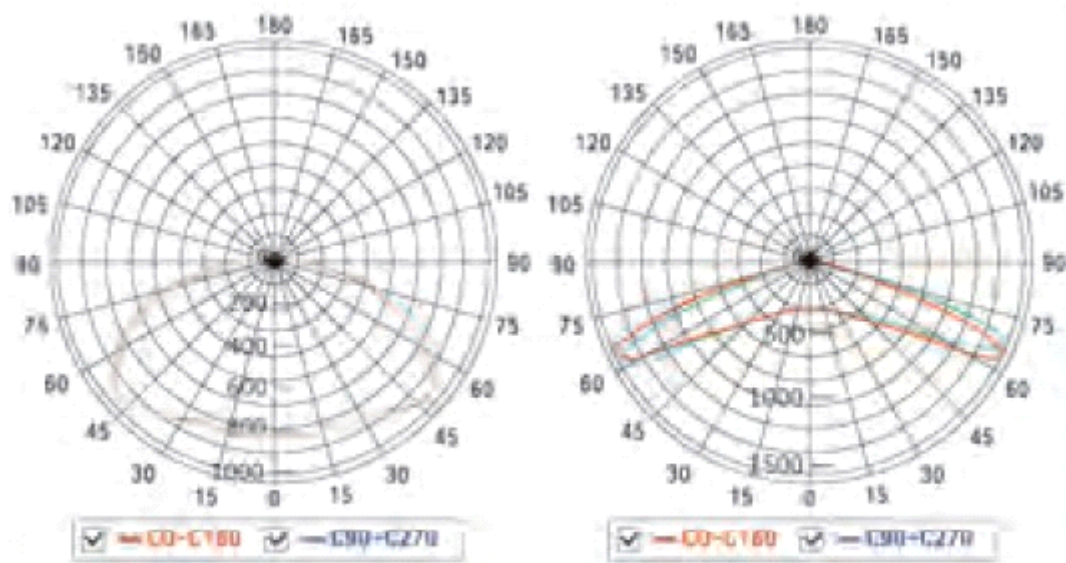
- Input Power: 60W
- Color Temperature: 4300K~5700K
- CRI: ≥75
- Luminaire efficiency: 80~100 Lm/W
- Input Voltage: 100~277V,50/60Hz
- Power Factor: 0.98
- Lamp Luminous Flux: 4800~6000 Lm
- THD: <15%

Specification:

- Light source:LED
- Input power:60W
- Light color temperature:4300K~5700K
- Color rendering index:≥75
- Luminous efficiency:80~100 Lm/W
- Input voltage:100~277V,50/60Hz
- 1.High pressure die casting housing ,anti-static powder painting.
- 2.High thermal conductive material and high efficiency cooling system.
- 3.Standard mounting connector,easy for maintainence.
- 4.Mounting arm is optional.
- 5.Remote control system is optional.
- 6.Cree,Lumileds chips.

Model NO.	LED Quantity	Colour	Power Com	Luminous Flux	Beam Angle	Actual Length	Weight
SS-SL-12INCH-60W	LED 60W	WW,NW,CW	60W	5000Lm	360°	307mm×350×463mm	

Technical information:



Application:

Mainly used for flood lighting of roadway,buildings,garden...etc.

Installation:

Caution:

Package: