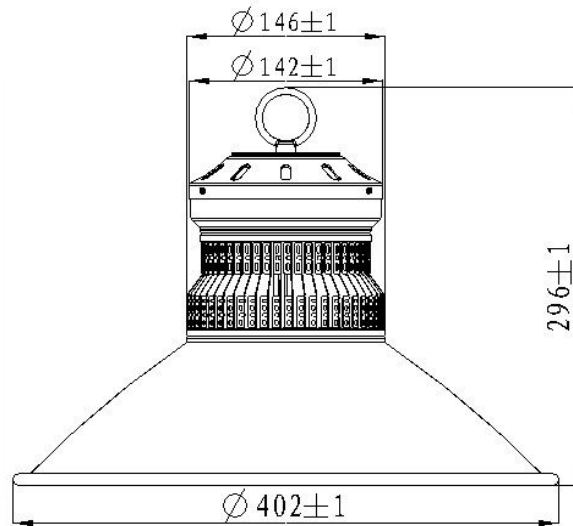


OB-HB-60W(Size:402,296mm)



Key feature:

Use AL 1070 Cooling fin heat sink, excellent heat dissipation

10 Inch 120° aluminum reflector, >93% transparency protection PC cover.

Constant current design, big heat dissipation space to ensure LED lighting efficiency and life span

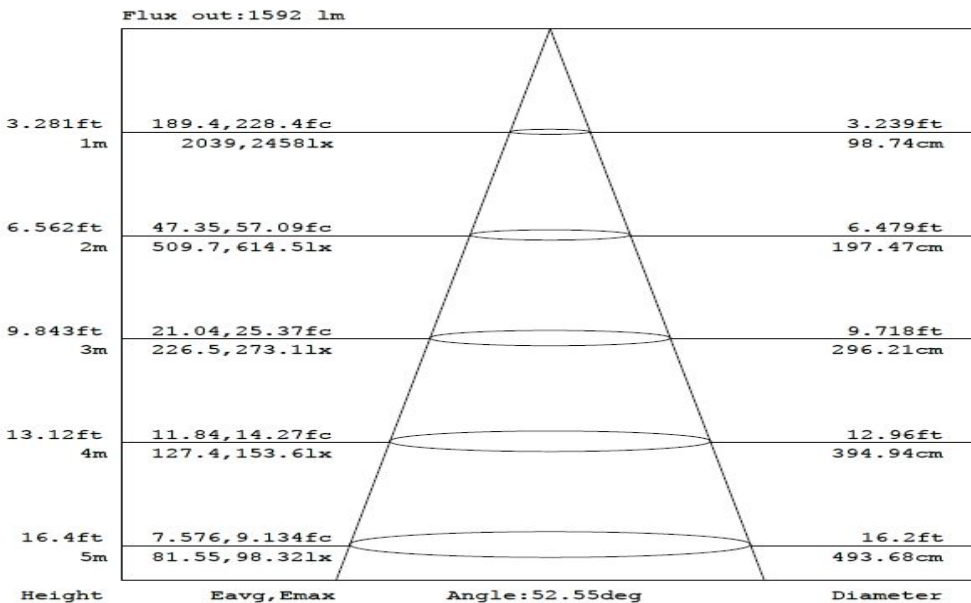
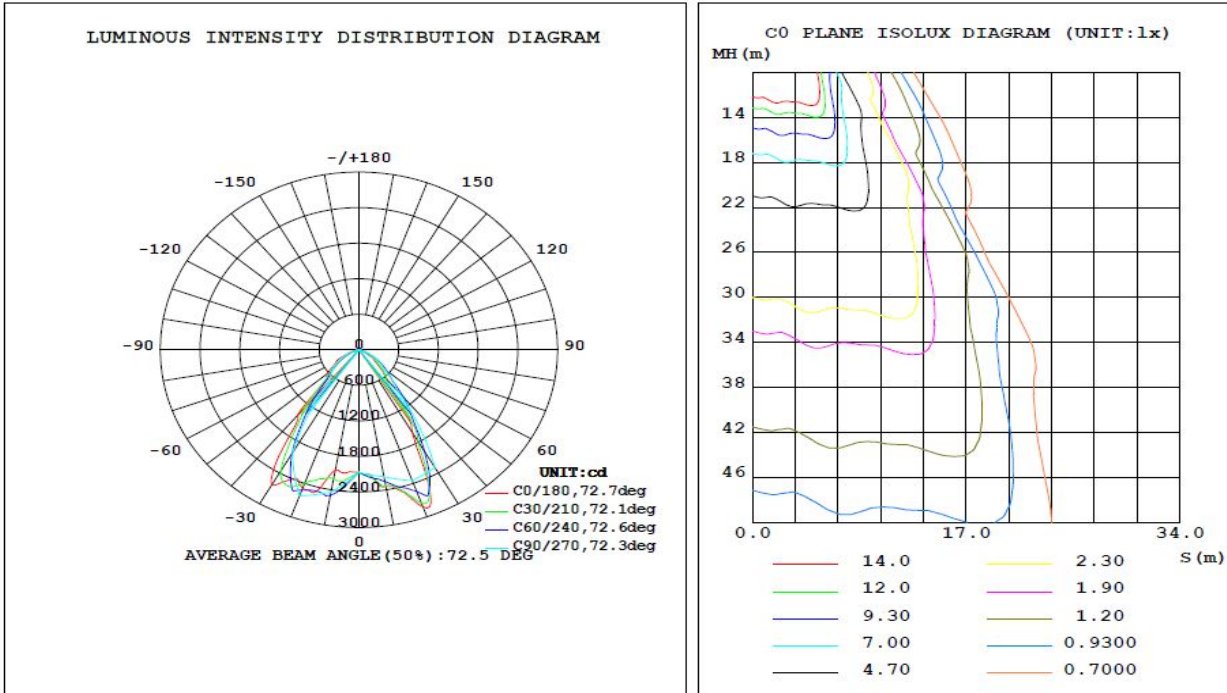
Specification

Specification:

category:	parameter
Base	N/A
Power	60±2W
Input Voltage	85V-265Vac/50Hz
light type	2835
Dimension	Φ402*296mm
service life	50000h
Water Class	IP20
weight	≈1.7KG
Beam Angle	70°±2°
POWER FACTOR	0.9
SURFACE TEMPERATURE:	<70°C
SAFETY ASSURANCE	CE RoHS
Inner box	170*170*260mm
QTY/Carton	18PCS/Carton
20pcs Aluminum cover size:	S:570*570*390mm
Gross Weight:	21KG
Export carton	540*540*550mm
20pcs Aluminum cover gross weight	12.5KG
CCT	2700-3700K WW 3700-5000K NW 5000-7000K CW
CRI:	≥70
Luminous	4900±5% Lm 5000±5% Lm 5100±5% Lm

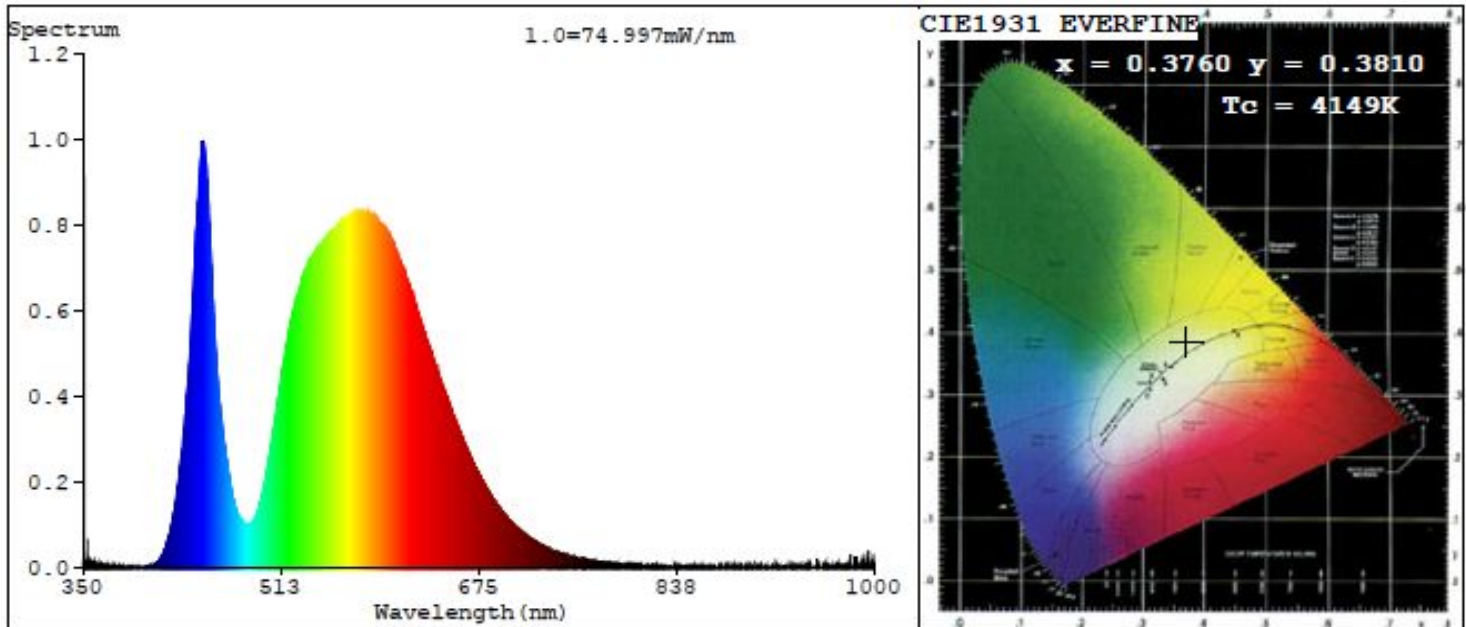
Specification

Technical information:



Note: The Curves indicate the illuminated area and the average illumination when the luminaire is at different distance.

Specification



Color Parameters:

Chromaticity Coordinate: $x=0.3760$ $y=0.3810$ $u'=0.2206$ $v'=0.5028$

$T_c=4149K$ (Duv=0.0033) Dominant WL: $L_d = 576.7nm$ Purity=27.2%

Ratio: R=17.8% G=80.1% B=2.1% Peak WL: $L_p=449.3nm$ HWL: $L_{hd}=21.4nm$

Render Index: $R_a=72.6$

R1 =70	R2 =78	R3 =82	R4 =73	R5 =69	R6 =68	R7 =83	
R8 =58	R9 =0	R10=46	R11=68	R12=38	R13=71	R14=90	R15=65

Photo Parameters:

Flux = 4912 lm Eff. : 83.61 lm/W $F_e = 10.78 W$

Electrical parameters:

V = 231.3 V I = 0.2588 A P = 60.63 W PF = 0.9629

LEVEL:OUT WHITE:ANSI_4000K

Status: Integral T = 300 ms $I_p = 15579 (24\%)$

Outback

Lighting Technology Limited

Prismtech LED Outback Light Limited

Specification

Application:

Suitable for Warehouses, Production and logistics workshops, Retail stores, Theme restaurants, Amusement parks, Indoor stadiums and public places, and other industrial and commercial lighting purposes.

