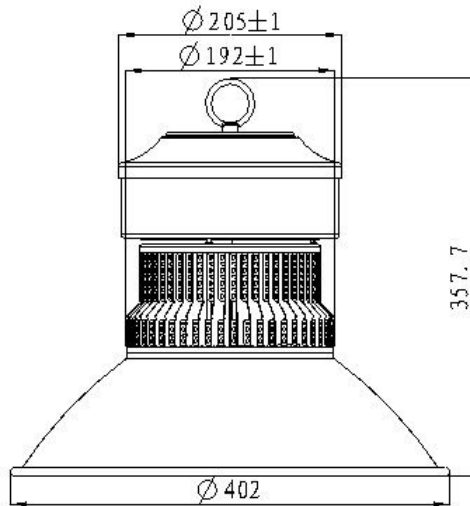

OB-HB-80W(Size:402,358mm)



Key feature:

Use AL 1070 Cooling fin heat sink, excellent heat dissipation

16 Inch aluminum reflector/PC reflector, >93% transparency protection PC cover.

Constant current design, big heat dissipation space to ensure LED lighting efficiency and life span

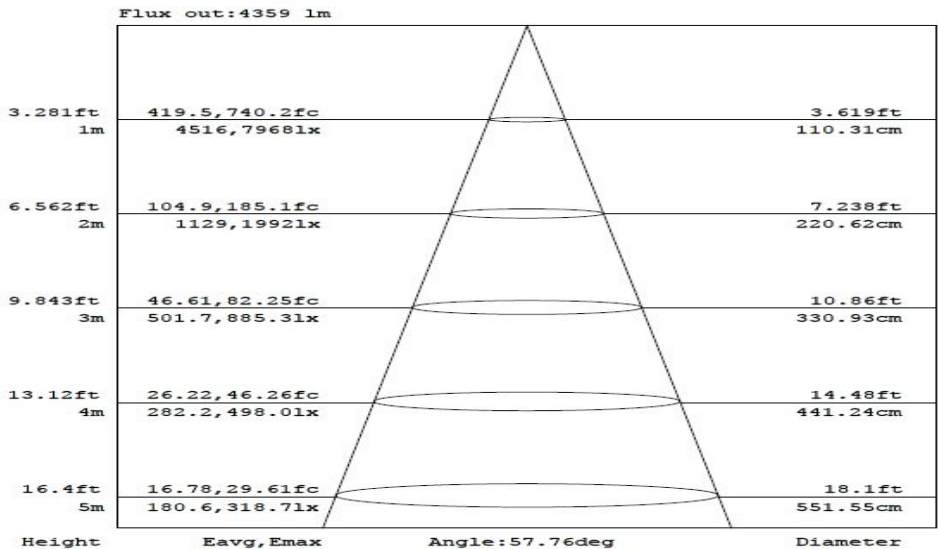
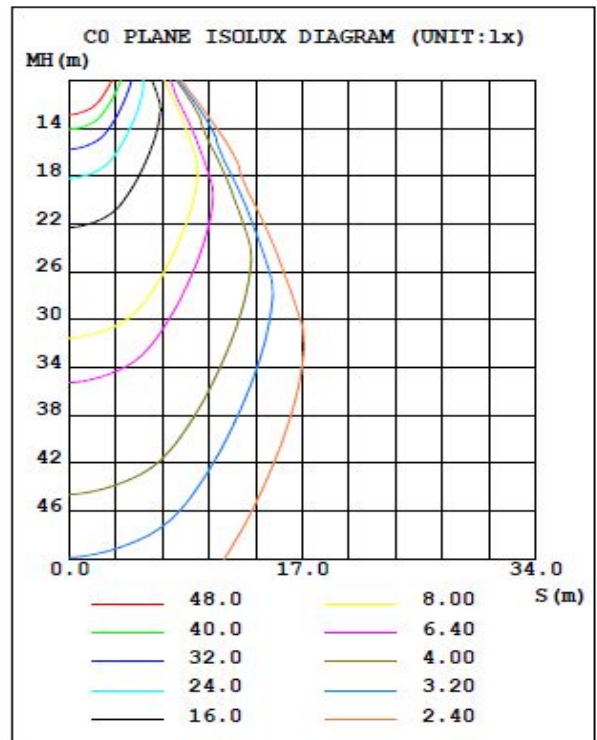
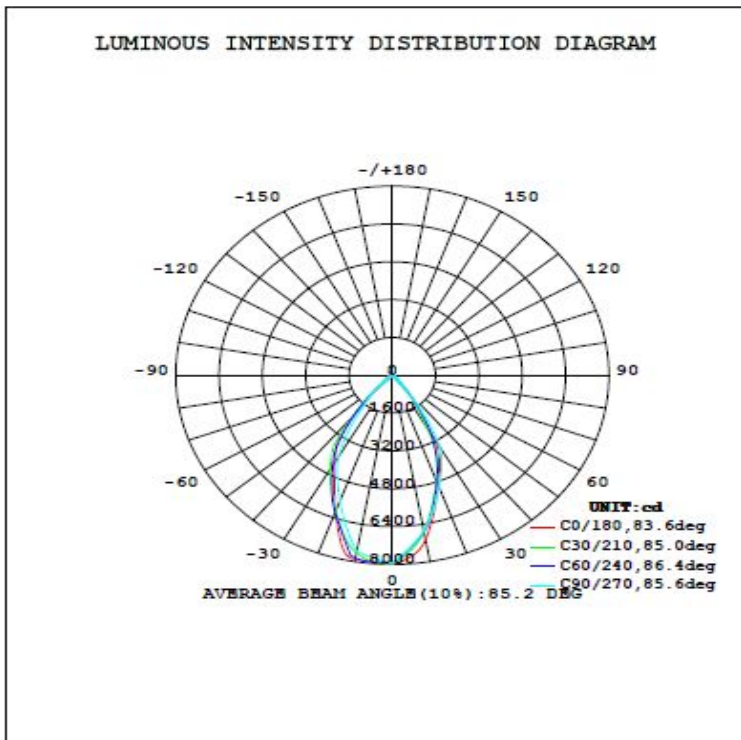
We can provide 60° 120° for 16 Inch aluminum reflector and 60° PC reflector.

Specification

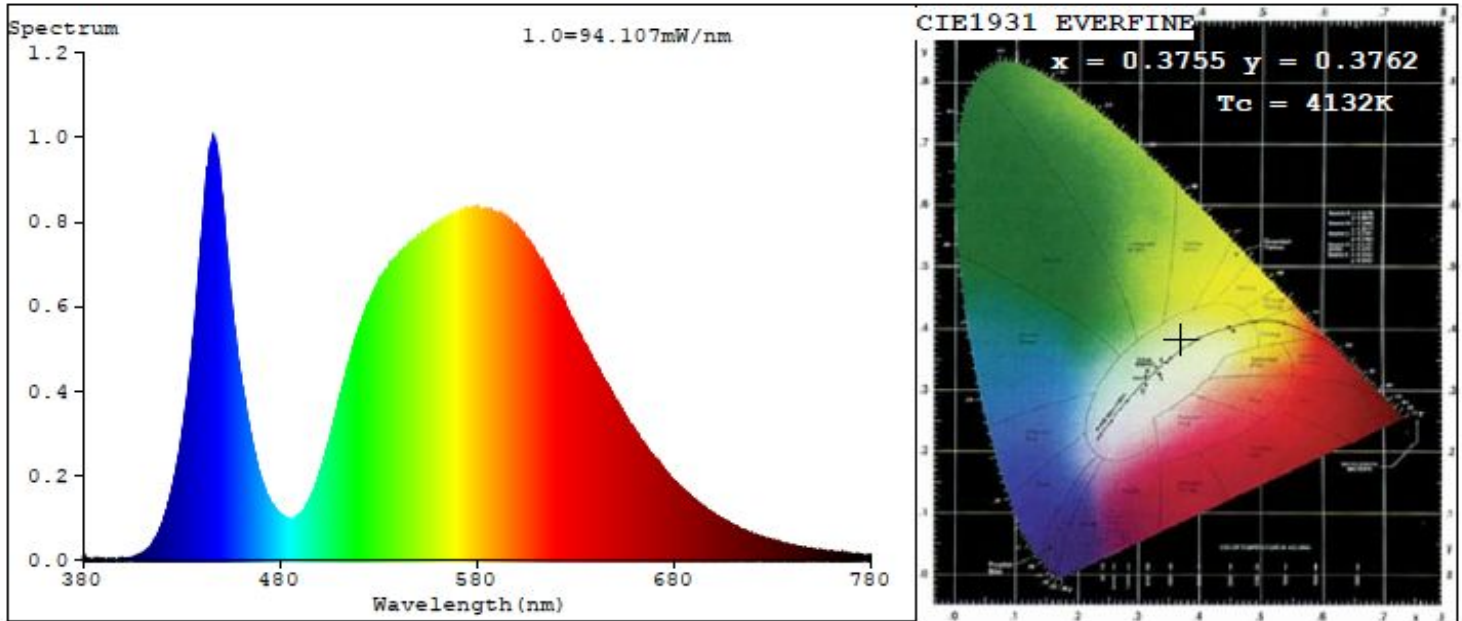
Specification:

category:	parameter
Base	N/A
Power	80±2W
Input Voltage	85V-265Vac/50Hz
light type	2835
Dimension	Φ402*358mm
service life	50000h
Water Class	IP20
weight	≈2.7KG
Beam Angle	90°
POWER FACTOR	0.9
SURFACE TEMPERATURE:	<70°C
SAFETY ASSURANCE	CE RoHS
Inner box	224*224*285mm
QTY/Carton	8PCS/Carton
20pcs Aluminum cover size:	S:570*570*390mm
Gross Weight:	19KG
Export carton	468*468*600mm
20pcs Aluminum cover gross weight	12.5KG
CCT	2700-3700K WW 3700-5000K NW 5000-7000K CW
CRI:	≥70
Luminous	6400±5%lm 6500±5%lm 6550±5%lm

Technical information:



Note: The Curves indicate the illuminated area and the average illumination when the luminaire is at different distance.



Color Parameters:

Chromaticity Coordinate: $x=0.3755$ $y=0.3762$ / $u'=0.2221$ $v'=0.5006$

$T_c=4132K$ (Duv=0.0012) Dominant WL: $L_d = 577.9nm$ Purity=25.6%

Ratio: R=18.0% G=79.9% B=2.1% Peak WL: $L_p=446.2nm$ HWL: $L_{hd}=22.7nm$

Render Index: $R_a=72.2$

R1 =70	R2 =77	R3 =82	R4 =73	R5 =69	R6 =67	R7 =82	
R8 =58	R9 =0	R10=45	R11=68	R12=40	R13=71	R14=89	R15=66

Photo Parameters:

Flux = 6418 lm Eff. :80.01 lm/W $P_e = 13.40 W$

Electrical parameters:

$V = 231.2 V$ $I = 0.3818 A$ $P = 80.99 W$ PF = 0.9742

LEVEL:OUT WHITE:ANSI_4000K

Status: Integral T = 672 ms $I_p = 50893 (78\%)$

Application:

Suitable for Warehouses, Production and logistics workshops, Retail stores, Theme restaurants, Amusement parks, Indoor stadiums and public places, and other industrial and commercial lighting purposes.

