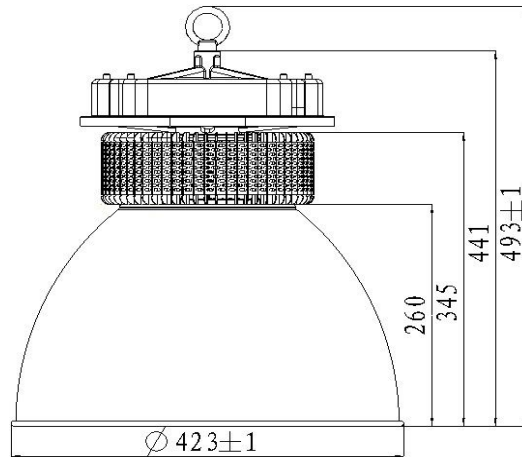


---

## OB-HB-120W(also make 100-120W)(Size:423,493mm)



### Key feature:

---

Use AL 1070 Cooling fin heat sink, excellent heat dissipation

16 Inch aluminum reflector/PC reflector, >93% transparency protection PC cover.

Constant current design, big heat dissipation space to ensure LED lighting efficiency and life span

We can provide 60° 120° for 16 Inch aluminum reflector and 60° PC reflector.

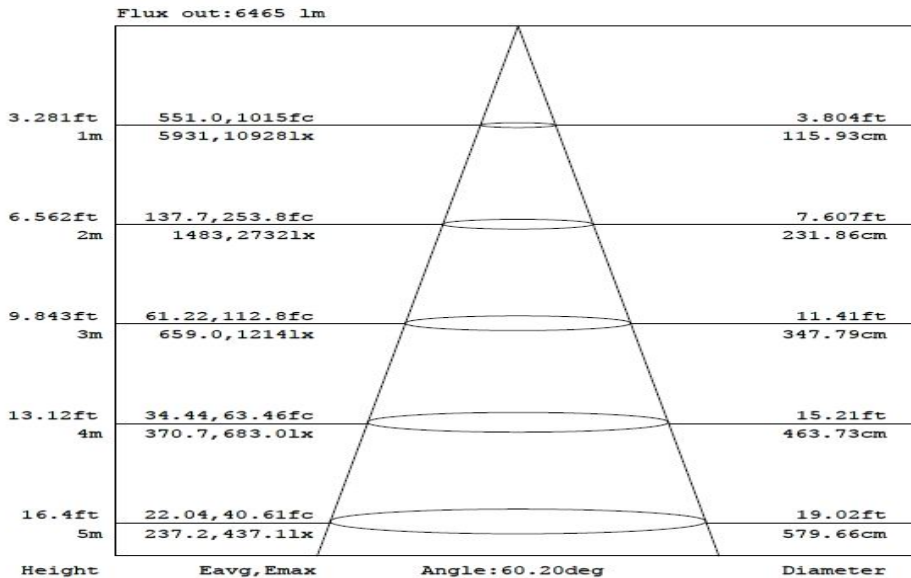
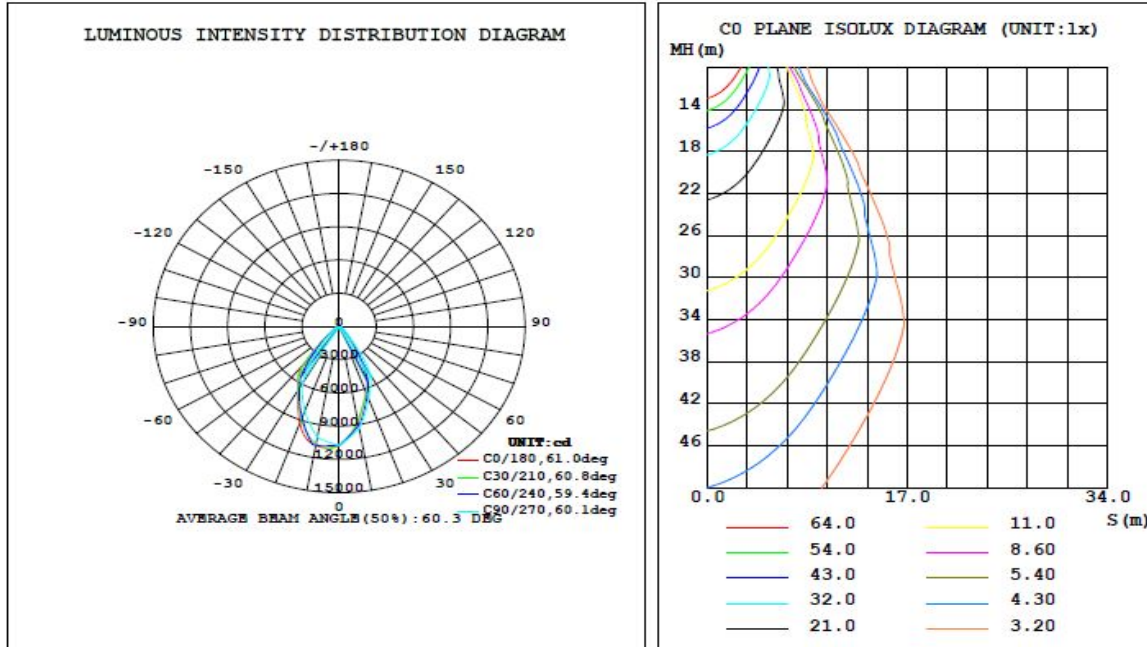
## Specification

### Specification:

category:	parameter
Base	N/A
Power	120±5W
Input Voltage	85V-265Vac/50Hz
light type	3*40W COB
Dimension	Ø423*493mm
service life	50000h
Water Class	IP20
weight	≈2.7KG
Beam Angle	60°±2°
POWER FACTOR	0.9
SURFACE TEMPERATURE:	<70°C
SAFETY ASSURANCE:	
Inner box	280*280*293
QTY/Carton	4PCS/Carton
20pcs Aluminum cover size:	455*455*580mm
Gross Weight:	16.5KG
Export carton	575*300*620mm
20pcs Aluminum cover gross weight	10.5KG
CCT	2700-3700K WW 3700-5000K NW 5000-7000K CW
CRI:	≥70
Luminous	9000±5%lm 9500±5%lm 10000±5%lm

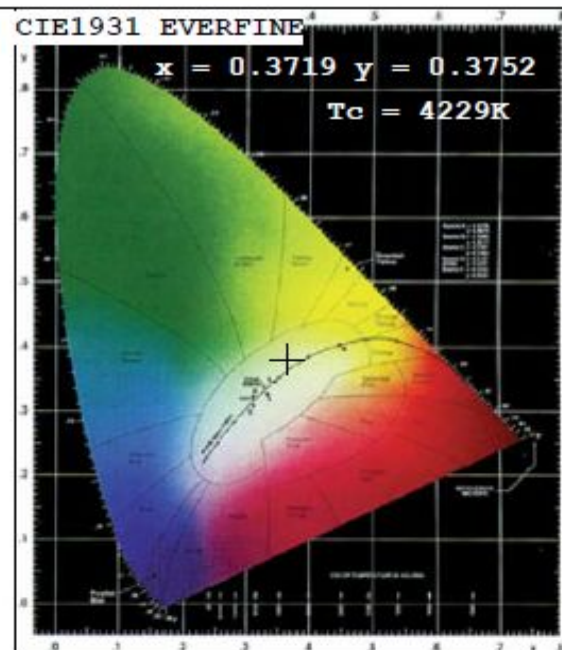
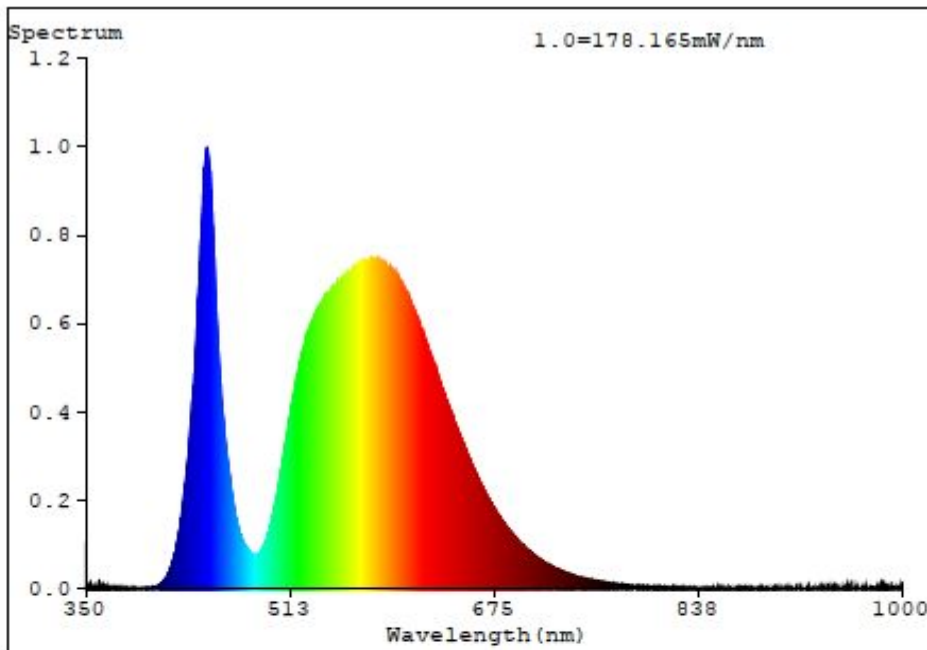
## Specification

### Technical information:



Note: The Curves indicate the illuminated area and the average illumination when the luminaire is at different distance.

## Specification



### Color Parameters:

Chromaticity Coordinate:  $x=0.3719$   $y=0.3752$  /  $u'=0.2201$   $v'=0.4996$

$T_c=4229K$  (Duv=0.0019) Dominant WL:  $L_d = 577.0nm$  Purity=24.2%

Ratio: R=17.6% G=80.4% B=2.0% Peak WL:  $L_p=446.2nm$  HWL:  $L_{hd}=19.8nm$

Render Index:  $R_a=71.5$

R1 =70	R2 =76	R3 =80	R4 =72	R5 =69	R6 =66	R7 =81	
R8 =57	R9 =0	R10=43	R11=68	R12=38	R13=70	R14=89	R15=65

### Photo Parameters:

Flux = 9921 lm Eff. :82.11 lm/W  $F_e = 22.83 W$

### Electrical parameters:

V = 231.5 V I = 0.5624 A P = 120.2 W PF = 0.9769

LEVEL:OUT WHITE:ANSI\_4000K

Status: Integral T = 300 ms  $I_p = 33541 (51\%)$

# Outback

Lighting Technology Limited

Prismtech LED Outback Light Limited

## Specification

---

### Application:

---

Suitable for Warehouses, Production and logistics workshops, Retail stores, Theme restaurants, Amusement parks, Indoor stadiums and public places, and other industrial and commercial lighting purposes.

