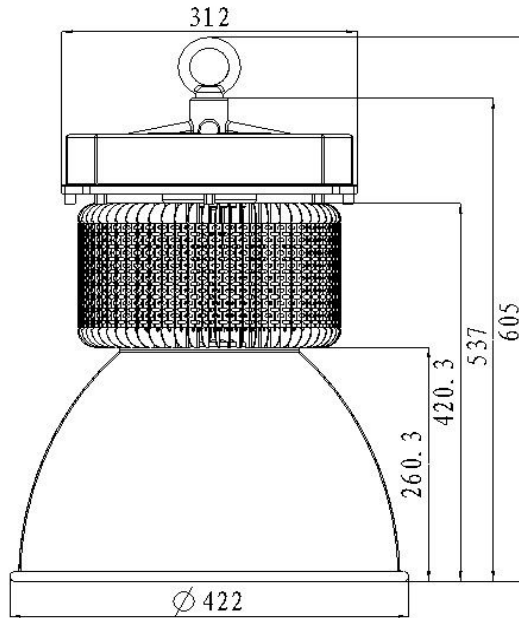

OB-HB-250W(also make 180-260W)(Size:422,605mm)



Key feature:

Use AL 1070 Cooling fin heat sink, excellent heat dissipation

16 Inch aluminum reflector/PC reflector, >93% transparency protection PC cover.

Constant current design, big heat dissipation space to ensure LED lighting efficiency and life span

We can provide 60° 120° for 16 Inch aluminum reflector and 60° PC reflector.

Specification

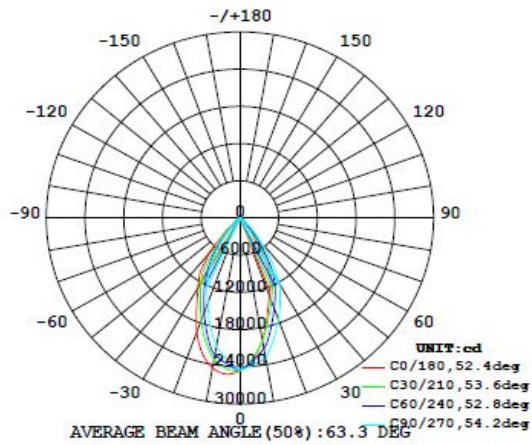
Specification:

category:	parameter
Base	N/A
Power	250±5W
Input Voltage	85V-265Vac/50Hz
light type	4*60W COB
Dimension	Φ422*605mm
service life	50000h
Water Class	IP20
weight	≈7KG
Beam Angle	60°±2°
POWER FACTOR	0.9
SURFACE TEMPERATURE:	<70°C
SAFETY ASSURANCE:	
Inner box	320*320*320mm
QTY/Carton	4PCS/Carton
20pcs Aluminum cover size:	S:455*455*580mm
Gross Weight:	25KG
Export carton	655*340*680mm
20pcs Aluminum cover gross weight	10.5KG
CCT	2700-3700K WW 3700-5000K NW 5000-7000K CW
CRI:	≥70
Luminous	21000±5%lm 21850±5%lm 22301±5%lm

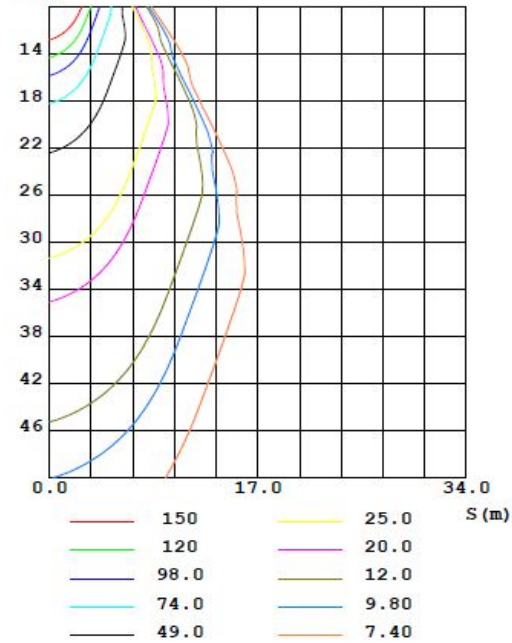
Technical information:

Specification

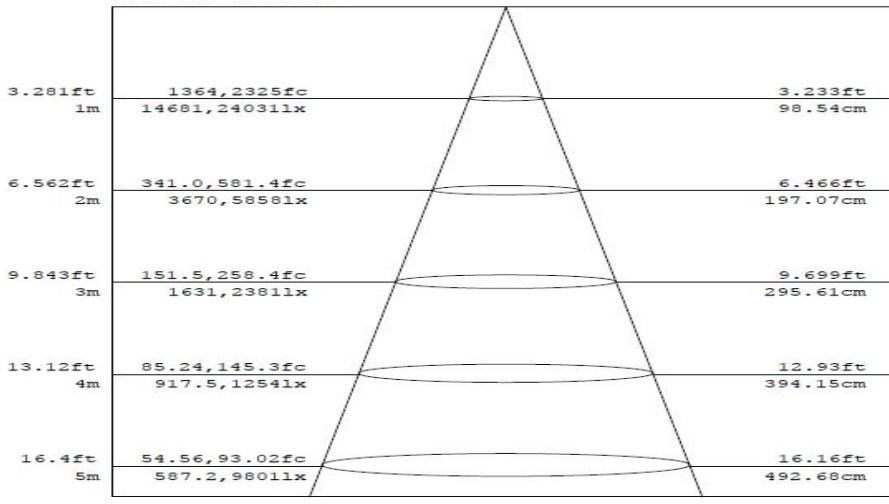
LUMINOUS INTENSITY DISTRIBUTION DIAGRAM



C0 PLANE ISOLUX DIAGRAM (UNIT:lx)

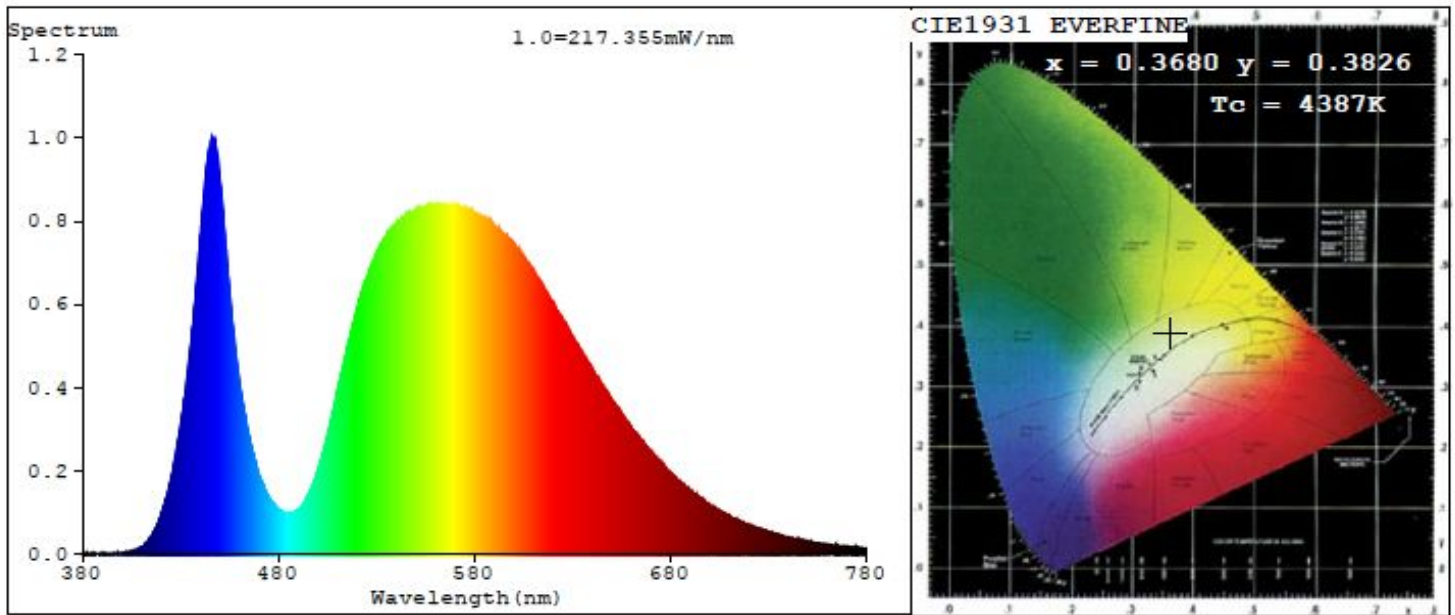


Flux out: 10865 lm



Note: The Curves indicate the illuminated area and the average illumination when the luminaire is at different distance.

Specification



Color Parameters:

Chromaticity Coordinate: $x=0.3680$ $y=0.3826$ / $u'=0.2147$ $v'=0.5023$

$T_c=4387K$ (Duv=0.0066) Dominant WL: $L_d = 573.8nm$ Purity=25.3%

Ratio: R=16.5% G=81.4% B=2.0% Peak WL: $L_p=445.9nm$ HWL: $L_{hd}=22.8nm$

Render Index: $R_a=70.8$

R1 =67	R2 =74	R3 =79	R4 =71	R5 =66	R6 =63	R7 =81	
R8 =57	R9 =0	R10=37	R11=65	R12=33	R13=67	R14=88	R15=62

Photo Parameters:

Flux = 20802 lm Eff. : 80.12lm/W $F_e = 31.40$ W

Electrical parameters:

V = 220.9 V I = 1.145 A P = 247.8 W PF = 0.9947

LEVEL:OUT WHITE:ANSI_4500K

Status: Integral T = 282 ms $I_p = 51181$ (78%)

Application:

Outback

Lighting Technology Limited

Prismtech LED Outback Light Limited

Specification

Suitable for Warehouses, Production and logistics workshops, Retail stores, Theme restaurants, Amusement parks, Indoor stadiums and public places, and other industrial and commercial lighting purposes.

