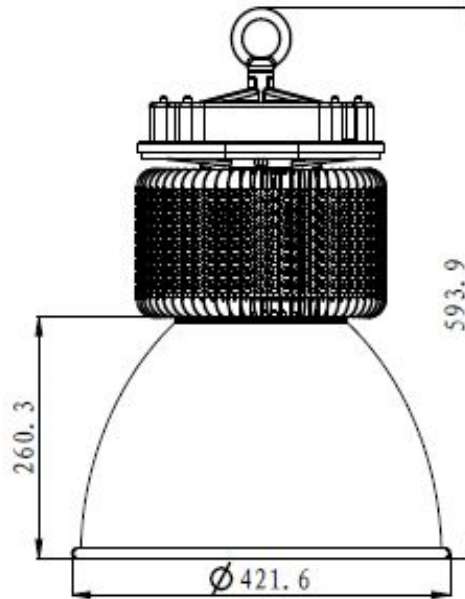

OB-HB-250W(also make 180-260W)(Size:593.9,421mm)



Key feature:

Use AL 1070 Cooling fin heat sink, excellent heat dissipation

16 Inch aluminum reflector/PC reflector, >93% transparency protection PC cover.

Constant current design, big heat dissipation space to ensure LED lighting efficiency and life span

We can provide 60° 120° for 16 Inch aluminum reflector and 60° PC reflector.

Specification

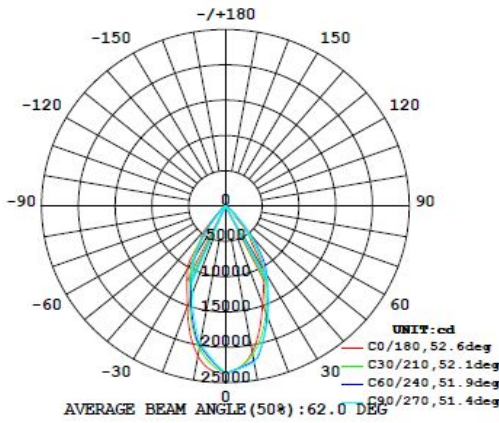
Specification:

category:	parameter
Base	N/A
Power	250±5W
Input Voltage	85V-265Vac/50Hz
light type	4*60W COB
Dimension	Φ593.9*421mm
service life	50000h
Water Class	IP20
weight	≈6.5KG
Beam Angle	60°±2°
POWER FACTOR	0.9
SURFACE TEMPERATURE:	<70°C
SAFETY ASSURANCE	
Inner box	320*320*320mm
QTY/Carton	4PCS/Carton
20pcs Aluminum cover size:	S:455*455*580mm
Gross Weight:	25KG
Export carton	655*340*680mm
20pcs Aluminum cover gross weight	10.5KG
CCT	2700-3700K WW 3700-5000K NW 5000-7000K CW
CRI:	≥70
Luminous	21120±5%lm 22386±5%lm 22040±5%lm

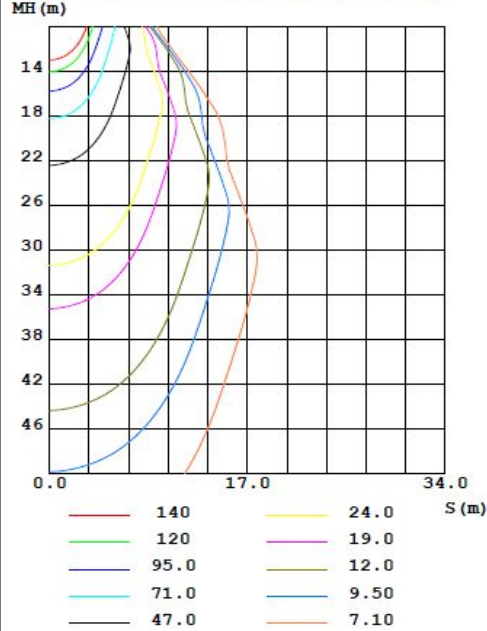
Specification

Technical information:

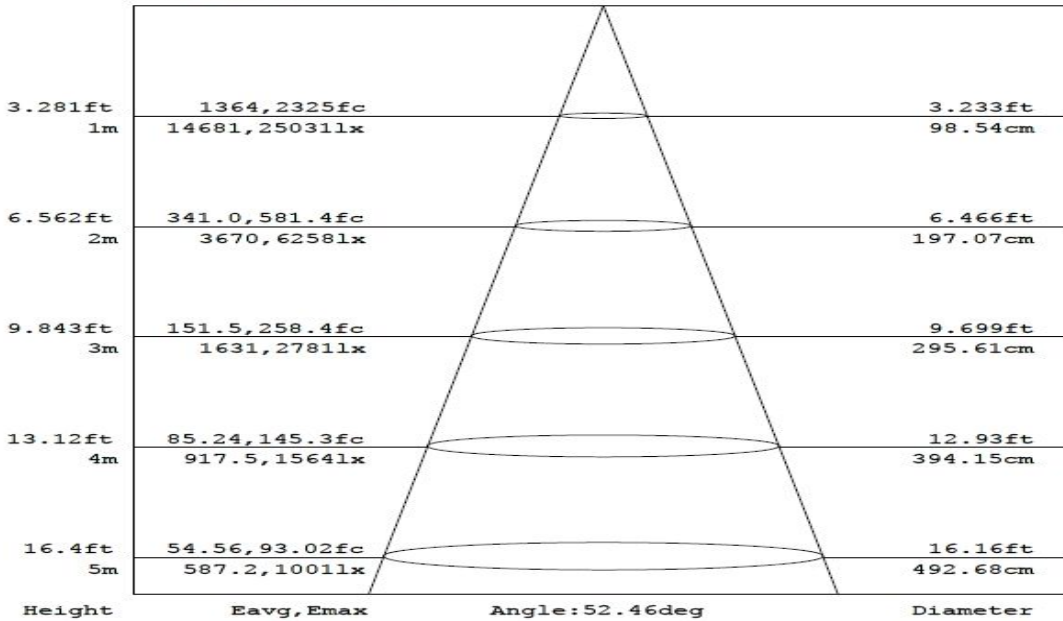
LUMINOUS INTENSITY DISTRIBUTION DIAGRAM



C0 PLANE ISOLUX DIAGRAM (UNIT:lx)

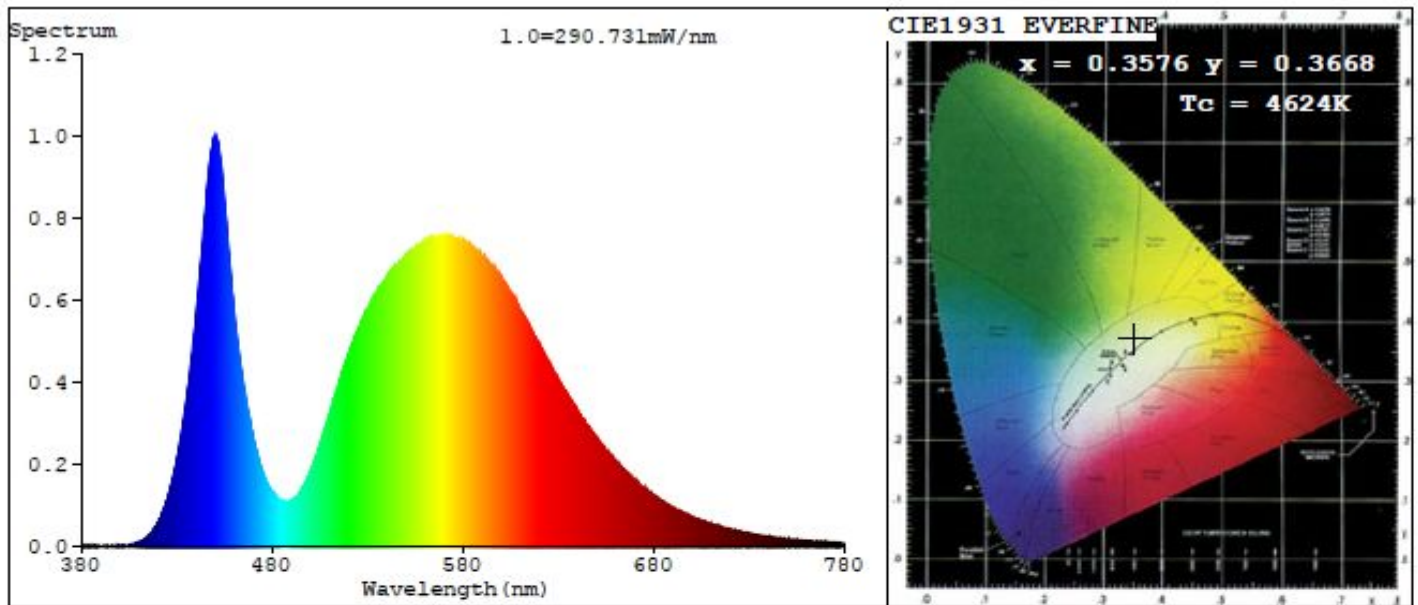


Flux out: 11465 lm



Note: The Curves indicate the illuminated area and the average illumination when the luminaire is at different distance.

Specification



Color Parameters:

Chromaticity Coordinate: $x=0.3576$ $y=0.3668$ / $u'=0.2139$ $v'=0.4937$

$T_c=4624K$ ($Duv=0.0027$) Dominant WL: $L_d = 574.1nm$ Purity=17.4%

Ratio: R=15.9% G=81.5% B=2.6% Peak WL: $L_p=449.3nm$ HWL: $L_{hd}=23.2nm$

Render Index: $R_a=72.1$

R1 =65	R2 =76	R3 =72	R4 =67	R5 =65	R6 =64	R7 =71	
R8 =52	R9 =0	R10=41	R11=60	R12=33	R13=67	R14=90	R15=60

Photo Parameters:

Flux = 21240 lm Eff. : 81.2 lm/W $F_e = 35.94 W$

Electrical parameters:

V = 221.1 V I = 1.133 A P = 248.0 W PF = 0.9784

LEVEL:OUT WHITE:ANSI_4500K

Status: Integral T = 250 ms $I_p = 53281 (81\%)$

Application:

Suitable for Warehouses, Production and logistics workshops, Retail stores, Theme restaurants, Amusement parks, Indoor stadiums and public places, and other industrial and commercial lighting purposes.

