

# UFO Compact Lens Bulb

OB-HB-PH-90 w | 120 w | 150 w | 200 w | 240 w

Technical Specifications  
Backpage ▶



\* Lens  
Beam angle 80°

- IP65
- Mean Well IP65/ IP67 driver, input voltage AC100-277V
- Instant start, NO flickering, NO humming

## Key Features

- CE UL DLC RoHS EuP CB GS certifications
- High CRI
- Warm / Natural / Cool / Cold white
- No UV or IR in the beam
- Easy to install and operate
- Light is soft and uniform, safe to eyes



\* Cover  
Beam angle 110°



### Product Certification

UL is a global leader in testing, inspection, certification, auditing and validation. The UL Mark is the single most accepted Certification Mark in the United States.



### Water proofing

IP65 class protection weatherproofing connectors and siliconing sealing for better outdoor protection.



### Mean Well Brand

Using a premium driver technology light sustainability is up to 60,000 hrs and up to 80% energy is saved.

### Premium LED Chips

Excellent LED Chips installed. High thermal conductivity, low light degradation and with pure colors.

**Outback**  
A+Prismtech Outback Lights Co.

## Contact us NOW!

Tel: +86-755-8324 3047  
Fax: +86-755-8324 3048

Skype: prismoutbacklight  
Email: annie.chen@prismoutbacklight.com

www.prismoutbacklight.com

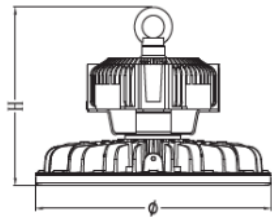


# UFO Compact Lens Bulb

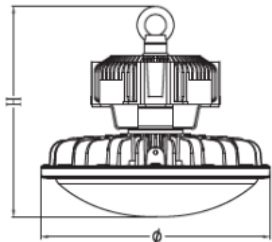
## Technical Specifications

OB-HB-PH  
 50 W | 120 W | 150 W  
 200 W | 240 W

Product Page



Model	Input Wattage	Input Voltage Range V	Dimensions & Weight	Delivered Lumens (lms)	Efficacy (Lm/W)	Color Rendering Index CRI	Color Temperature CCT	Beam Spread	Life Rating
OB-HB-PH- 90 W	90 W	100-277 V	Ø 228 x 240 mm / 1.1 Kg	9,450 Lms+	105	80 Ra	3,000 - 5,000 K	80°	50,000 hrs
OB-HB-PH- 120 W	120 W	100-277 V	Ø 235 x 240 mm / 1.4 Kg	12,600 Lms+	105	80 Ra	3,000 - 5,000 K	80°	50,000 hrs
OB-HB-PH- 150 W	150 W	100-277 V	Ø 268 x 240 mm / 1.5 Kg	15,750 Lms+	105	80 Ra	3,000 - 5,000 K	80°	50,000 hrs
OB-HB-PH- 200 W	200 W	100-277 V	Ø 350 x 240 mm / 1.7 Kg	21,000 Lms+	105	80 Ra	3,000 - 5,000 K	80°	50,000 hrs
OB-HB-PH- 240 W	240 W	100-277 V	Ø 350 x 240 mm / 3.4 Kg	25,200 Lms+	105	80 Ra	3,000 - 5,000 K	80°	50,000 hrs



Model	Input Wattage	Input Voltage Range V	Dimensions & Weight	Delivered Lumens (lms)	Efficacy (Lm/W)	Color Rendering Index CRI	Color Temperature CCT	Beam Spread	Life Rating
OB-HB-PH- 90 W	90 W	100-277 V	Ø 228 x 196 mm / 1.0 Kg	8,550 Lms+ 11,700 Lms+	95 130	80 Ra	3,000 - 5,000 K	110°	50,000 hrs
OB-HB-PH- 120 W	120 W	100-277 V	Ø 235 x 196 mm / 1.4 Kg	11,400 Lms+ 15,600 Lms+	95 130	80 Ra	3,000 - 5,000 K	110°	50,000 hrs
OB-HB-PH- 150 W	150 W	100-277 V	Ø 268 x 196 mm / 1.5 Kg	14,250 Lms+ 19,500 Lms+	95 130	80 Ra	3,000 - 5,000 K	110°	50,000 hrs
OB-HB-PH- 200 W	200 W	100-277 V	Ø 350 x 202 mm / 1.7 Kg	19,000 Lms+ 26,000 Lms+	95 130	80 Ra	3,000 - 5,000 K	110°	50,000 hrs
OB-HB-PH- 240 W	240 W	100-277 V	Ø 350 x 202 mm / 3.4 Kg	22,800 Lms+ 31,200 Lms+	95 130	80 Ra	3,000 - 5,000 K	110°	50,000 hrs

## Green Features

### • Energy saving with high efficiency

Significant energy saving up to 80% compared to conventional metal halogen lamp & fixture.



### • Cost saving with longer time

Low maintenance cost due to incredibly long lifetime of 50,000 hours.



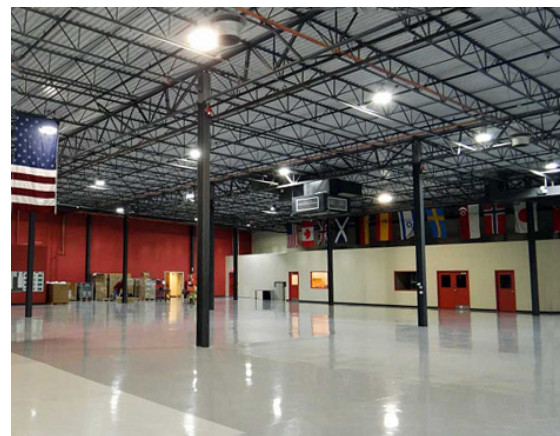
### • Environmental friendly light

Eco-friendly light source, which contains no mercury, no lead and low CO2 emission.



### • Applications

Suitable for warehouses • Production and logistics workshops • Retail stores • Theme restaurants • Amusement parks • Indoor Stadiums and public places • Corridor • Gymnasium • Factory • Workplace • Other industrial and commercial lighting purposes.



Sample lighting reference

## Contact us NOW!

Tel: +86-755-8324 3047  
 Fax: +86-755-8324 3048

Skype: prismoutbacklight  
 Email: annie.chen@prismoutbacklight.com



# UFO Mini

OB-HB-50 W-PH-64-IP65 | 100 W-PH-126-IP65 | 140 W-PH-168-IP65 | 240 W-PH-280-IP65

Technical Specifications  
Backpage ▶



- IP65
- Mean Well IP65 driver,
- input voltage AC90-305V
- Instant start, NO flickering, NO humming

## Key Features

- CE & RoHS certified
- High CRI
- Warm / Natural / Cool / Cold white
- No UV or IR in the beam
- Easy to install and operate
- Light is soft and uniform, safe to eyes
- Wide range of light beam angles 30°, 45°, 60°, 90°, and 120°



\* Reflection cup for widening of the beam angle



### Product Certification

Certified under CE and RoHS regulations



### Water proofing

IP65 class protection weatherproofing connectors and siliconing sealing for better outdoor protection.



### Mean Well Brand

Using a premium driver technology light sustainability is up to 50,000 hrs and up to 80% energy is saved.



### Premium LED Chips

Excellent LED Chips installed. High thermal conductivity, low light degradation and with pure colors.

**Outback**  
A+Prismtech Outback Lights Co.

[www.prisoutbacklight.com](http://www.prisoutbacklight.com)

## Contact us NOW!

Tel: +86-755-8324 3047  
Fax: +86-755-8324 3048

Skype: prismooutbacklight  
Email: [annie.chen@prismooutbacklight.com](mailto:annie.chen@prismooutbacklight.com)



# UFO Mini

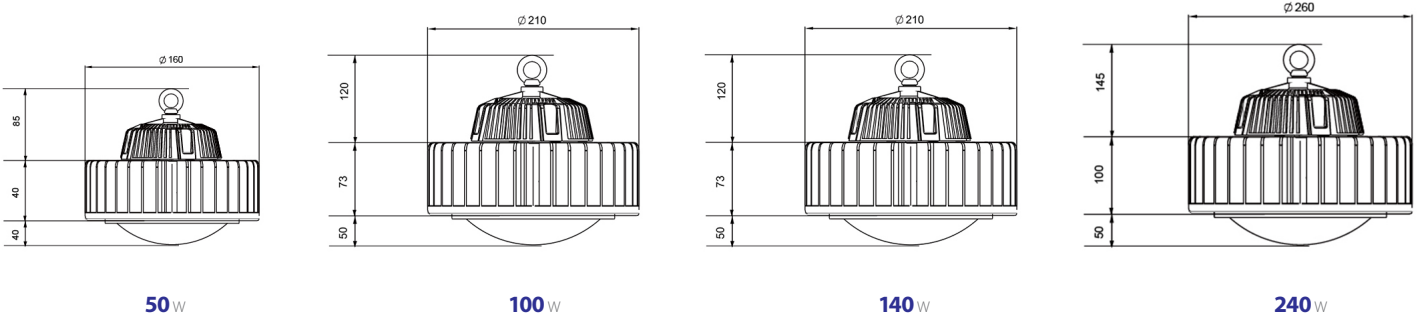
## Technical Specifications

OB-HB

50 W-PH-64-IP65 | 100 W-PH-126-IP65

140 W-PH-168-IP65 | 240 W-PH-280-IP65

Product Page



50 W

100 W

140 W

240 W

Model	Input Wattage	Input Voltage Range V	Dimensions & Weight	Delivered Lumens (lms)	Efficacy (Lm/W)	Color Rendering Index CRI	Color Temperature CCT	Beam Spread	Life Rating
OB-HB- 50 W-PH-64-IP65	50 W	90-305 V	Ø 160 x 165 mm / 1.0 Kg	4,000 - 5,500 Lms+	100	80 Ra	2,700 - 6,500 K	45 / 90°	50,000 hrs
OB-HB- 100 W-PH-126-IP65	100 W	90-305 V	Ø 210 x 243 mm / 1.4 Kg	8,000 - 11,000 Lms+	100	80 Ra	2,700 - 6,500 K	30 / 45 / 60 / 90 / 120°	50,000 hrs
OB-HB- 140 W-PH-168-IP65	140 W	90-305 V	Ø 210 x 243 mm / 1.5 Kg	12,000 - 15,400 Lms+	100	80 Ra	2,700 - 6,500 K	30 / 45 / 60 / 90 / 120°	50,000 hrs
OB-HB- 240 W-PH-280-IP65	240 W	90-305 V	Ø 260 x 295 mm / 1.5 Kg	12,000 - 26,400 Lms+	100	80 Ra	2,700 - 6,500 K	30 / 45 / 60 / 90 / 120°	50,000 hrs

## Green Features

### • Energy saving with high efficiency

Significant energy saving up to 80% compared to conventional metal halogen lamp & fixture.



### • Cost saving with longer time

Low maintenance cost due to incredibly long lifetime of 50,000 hours.



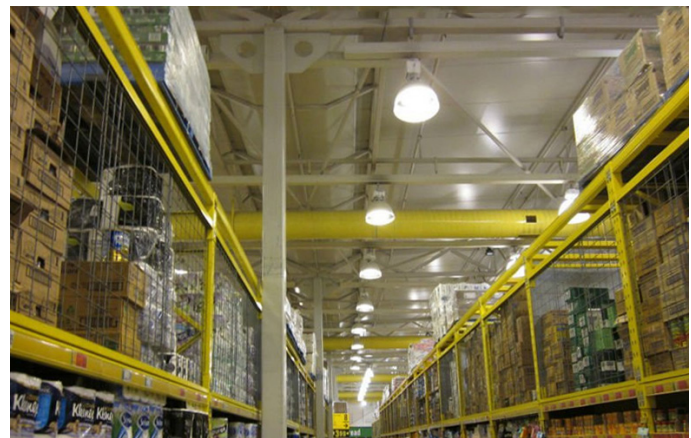
### • Environmental friendly light

Eco-friendly light source, which contains no mercury, no lead and low CO2 emission.



### • Applications

Their low profile light weight design and versatile mounting options are ideal for various applications such as Warehouse • Garage • Aisle • Cold storage • Bridge • Tunnel • General area lighting.



Sample lighting reference

## Contact us NOW!

Tel: +86-755-8324 3047  
Fax: +86-755-8324 3048

Skype: prismoutbacklight  
Email: annie.chen@prismoutbacklight.com



# Corn Bulb

OB-CL-SMD-27 w | 36 w | 45 w | 54 w | 80 w | 100 w | 120 w  
 81 P | 108 P | 135 P | 162 P | 240 P | 288 P | 336 P

Technical Specifications  
 Backpage ▶



- IP64
- Own driver or Mean Well driver, input voltage AC85-265V
- Super Bright Taiwanese Epistar 5630 SMD LED chip used, Samsung 5630 available
- Choice between clear and milky covers
- Beam angle is 360°

## Key Features

- CE RoHS PSE certifications
- High CRI
- Warm / Natural / Cool / Cold white
- No UV or IR in the beam
- Easy to install and operate
- Light is soft and uniform, safe to eyes



**Product Certification**  
 Certified under CE, RoHS and PSE regulations



**Water proofing**  
**IP64** class protection weatherproofing connectors and siliconing sealing for better outdoor protection.



**Mean Well Brand**  
 Using a premium driver technology light sustainability is up to 50,000 hrs and up to 80% energy is saved.

**Premium LED Chips**  
 Excellent LED Chips installed. High thermal conductivity, low light degradation and with pure colors.

**Outback**  
 A+Prismtech Outback Lights Co.

www.prismoutbacklight.com

## Contact us NOW!

Tel: +86-755-8324 3047  
 Fax: +86-755-8324 3048

Skype: prismoutbacklight  
 Email: annie.chen@prismoutbacklight.com



# Corn Bulb

## Technical Specifications

OB-CL-SMD

27 W | 36 W | 45 W | 54 W | 80 W | 100 W | 120 W  
 81 P | 108 P | 135 P | 162 P | 240 P | 288 P | 336 P

Product Page



Model	Input Wattage	Input Voltage Range V	Dimensions	Delivered Lumens (lms)	LED Quantity (pcs)	Color Rendering Index CRI	Base	Color Temperature CCT	Life Rating
OB-CL-SMD- 81P- 27 W-IP64	27 W	85-265 V	93 x 184 mm	100 - 110Lms+	81 Epistar 5630 SMD	80 Ra	E26 / E27 E39 / E40	2,700 - 7,500 K	50,000 hrs
OB-CL-SMD- 108P- 36 W-IP64	36 W	85-265 V	93 x 218 mm	100 - 110Lms+	108 Epistar 5630 SMD	80 Ra	E26 / E27 E39 / E40	2,700 - 7,500 K	50,000 hrs
OB-CL-SMD- 135P- 45 W-IP64	45 W	85-265 V	93 x 249 mm	100 - 110Lms+	135 Epistar 5630 SMD	80 Ra	E26 / E27 E39 / E40	2,700 - 7,500 K	50,000 hrs
OB-CL-SMD- 162P- 54 W-IP64	54 W	85-265 V	93 x 270 mm	100 - 110Lms+	162 Epistar 5630 SMD	80 Ra	E26 / E27 E39 / E40	2,700 - 7,500 K	50,000 hrs
OB-CL-SMD- 240P- 80 W-IP64	80 W	85-265 V	123 x 320 mm	100 - 110Lms+	240 Epistar 5630 SMD	80 Ra	E39 / E40	2,700 - 7,500 K	50,000 hrs
OB-CL-SMD- 228P- 100 W-IP64	100 W	85-265 V	123 x 336 mm	100 - 110Lms+	288 Epistar 5630 SMD	80 Ra	E39 / E40	2,700 - 7,500 K	50,000 hrs
OB-CL-SMD- 336P- 120 W-IP64	120 W	85-265 V	123 x 360 mm	100 - 110Lms+	336 Epistar 5630 SMD	80 Ra	E39 / E40	2,700 - 7,500 K	50,000 hrs

## Green Features

### • Energy saving with high efficiency

Significant energy saving up to 80% compared to conventional metal halogen lamp & fixture.



### • Cost saving with longer time

Low maintenance cost due to incredibly long lifetime of 50,000 hours.



### • Environmental friendly light

Eco-friendly light source, which contains no mercury, no lead and low CO2 emission.



### • Applications

Perfect for Strip-malls • Replacement bulb for Street light • Wall light • Post top • Solar powered street light/post • Canopy • Superstore lighting • High bay • Floodlight • Tunnel light • Warehouse • Garden • Hotel • Galleries • Stadium.



Sample lighting reference

## Contact us NOW!

Tel: +86-755-8324 3047  
 Fax: +86-755-8324 3048

Skype: prismoutbacklight  
 Email: annie.chen@prismoutbacklight.com



# Canopy Ultra Slim

OB-CL-60w | 100w | 130w

Technical Specifications  
Backpage ▶



- IP65
- Mean Well IP65 driver, input voltage AC100-277V
- Instant start, NO flickering, NO humming
- Constructed with borosilicate shatter-resistant glass
- Dusk-to-dawn & occupancy sensor optional

## Key Features

- UL DLC certificates
- High CRI
- Warm / Natural / Cool / Cold white
- No UV or IR in the beam
- Easy to install and operate
- Light is soft and uniform, safe to eyes



### Product Certification

Certified under UL and DLC regulations



### Water proofing

IP65 class protection weatherproofing connectors and siliconing sealing for better outdoor protection.



### Mean Well Brand

Using a premium driver technology light sustainability is up to 50,000 hrs and up to 80% energy is saved.



### Premium LED Chips

Excellent LED Chips installed. High thermal conductivity, low light degradation and with pure colors.

**Outback**  
A+Prismtech Outback Lights Co.

[www.prismlight.com](http://www.prismlight.com)

## Contact us NOW!

Tel: +86-755-8324 3047  
Fax: +86-755-8324 3048

Skype: prismoutbacklight  
Email: [annie.chen@prismoutbacklight.com](mailto:annie.chen@prismoutbacklight.com)

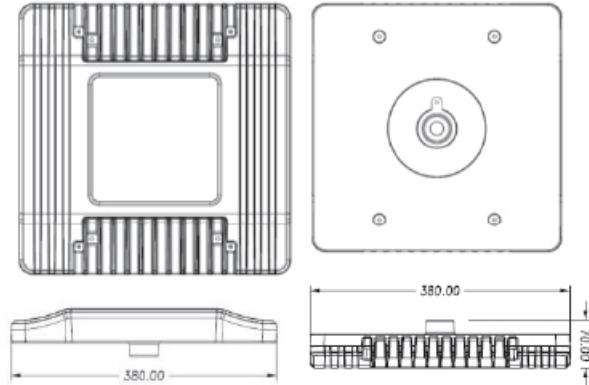


# Canopy Ultra Slim

## Technical Specifications

OB-CL  
60 w | 100 w | 130 w

Product Page ▶



Model	Input Wattage	Input Voltage Range V	Dimensions & Weight	Delivered Lumens (lms)	Efficacy (Lm/W)	Color Rendering Index CRI	Color Temperature CCT	Life Rating
OB-HB-60 W	60 W	100-277 V	380 x 380 x 70 mm / 7.5 Kg	5,373.3 Lms+	89.63	70 Ra+	5,982 K	50,000 hrs
OB-HB-100 W	100 W	100-277 V	380 x 380 x 70 mm / 7.5 Kg	8,298.7 Lms+	83.15	70 Ra+	5,977 K	50,000 hrs
OB-HB-130 W	130 W	100-277 V	380 x 380 x 70 mm / 7.5 Kg	10,853.0 Lms+	83.87	70 Ra+	5,992 K	50,000 hrs

## Green Features

### • Energy saving with high efficiency

Significant energy saving up to 80% compared to conventional metal halogen lamp & fixture.



### • Cost saving with longer time

Low maintenance cost due to incredibly long lifetime of 50,000 hours.



### • Environmental friendly light

Eco-friendly light source, which contains no mercury, no lead and low CO2 emission.



### • Applications

Perfect for Strip-malls • Entry way • Hall way • Parking garage • Plaza • Gasoline stations.



Sample lighting reference

## Contact us NOW!

Tel: +86-755-8324 3047  
Fax: +86-755-8324 3048

Skype: prismoutbacklight  
Email: annie.chen@prismoutbacklight.com



# Troffer LED Lights

OB-TRF-2x20-24w



- Samsung LM561B chips
- Input voltage from 120-277V
- All electrical components are UL/CUL approved
- Painted steel surface with high gloss baked white matte powder
- Instant start, NO flickering, NO humming
- Fully recessed luminaire fits standard T-Grid ceilings

Model	Input Wattage	Input Voltage Range V	Dimensions	Delivered Lumens (lms)	Efficacy (Lm/W)	Color Rendering Index CRI	Color Temperature CCT	Life Rating
OB-TRF-2x20-24 W	24 w	120-277 V	602 x 602 x 69 mm	2,200 Lms+	95	80 Ra+	3,000 - 4,000 K	50,000 hrs



**Product Certification**  
 Certified under CE FC UL  
 RoHS and DLC regulations

## Green Features

- **Energy saving with high efficiency**  
 Significant energy saving up to 80% compared to conventional metal halogen lamp & fixture.
- **Cost saving with longer time**  
 Low maintenance cost due to incredibly long lifetime of 50,000 hours.
- **Environmental friendly light**  
 Eco-friendly light source, which contains no mercury, no lead and low CO2 emission.



## Key Features

- High CRI
- Warm / Natural / Cool / Cold white
- No UV or IR in the beam
- Easy to install and operate
- Light is soft and uniform, safe to eyes

**Outback**  
 A+Prismtech Outback Lights Co.

**Contact us NOW!**

Tel: +86-755-8324 3047  
 Fax: +86-755-8324 3048

Skype: prismoutbacklight  
 Email: annie.chen@prismoutbacklight.com

www.prismoutbacklight.com



# LED Wall Light Spike Light 2 in 1

OB-BFL-15w | 30w



- Engineered with proprietary binned LM-80-rated LEDs chips providing uniform color consistency
- Operates on universal voltage system with self contained driver meeting UL 1310 UL 48 Class 2
- Mountable to recessed outlet boxes or directly on surfaces
- Instant start, NO flickering, NO humming
- High-quality shatter-resistant borosilicate lens
- Dusk-to-dawn & occupancy sensor optional

Model	Input Wattage	Input Voltage Range V	Dimensions & Weight	Delivered Lumens (lms)	Efficacy (Lm/W)	Color Rendering Index CRI	Color Temperature CCT	Life Rating
OB-BFL-15 W	15 W	AC 120-277 V	146 x 197 x 146 mm / 2.0 Kg	1,499 Lms+	106.31	83.2 Ra+	4,969 K	50,000 hrs
OB-BFL-30 W	30 W	AC 120-277 V	146 x 273 x 146 mm / 2.0 Kg	2,817 Lms+	119.9	83.7 Ra+	5,139 K	50,000 hrs



**Product Certification**  
 Certified under CE FC UL RoHS and DLC regulations

## Green Features

- **Energy saving with high efficiency**  
 Significant energy saving up to 80% compared to conventional metal halogen lamp & fixture.
- **Cost saving with longer time**  
 Low maintenance cost due to incredibly long lifetime of 50,000 hours.
- **Environmental friendly light**  
 Eco-friendly light source, which contains no mercury, no lead and low CO2 emission.



## Key Features

- High CRI
- Warm / Natural / Cool / Cold white
- No UV or IR in the beam
- Easy to install and operate
- Light is soft and uniform, safe to eyes

**Outback**  
 A+Prismtech Outback Lights Co.

### Contact us NOW!

Tel: +86-755-8324 3047  
 Fax: +86-755-8324 3048  
 Skype: prismoutbacklight  
 Email: annie.chen@prismoutbacklight.com

www.prismoutbacklight.com



# LED Wall Light Wallpack II Mini 6 in 1

OB-FL- 25 w | 35 w | 45 w



- IP65
- Input voltage from 100-277V
- Dimmable, 1-10VDC / PWM / Resistor (3 in 1)
- Die cast aluminium housing for excellent thermal control
- Instant start, NO flickering, NO humming
- Mountable to recessed outlet boxes or directly on surfaces
- High-quality shatter-resistant borosilicate lens
- Dusk-to-dawn & occupancy sensor optional

Model	Input Wattage	Input Voltage Range V	Dimensions & Weight	Delivered Lumens (lm)	Efficacy (Lm/W)	Color Rendering Index CRI	Color Temperature CCT	Life Rating
OB-FL- 25 W	25 w	100-277 V	178 x 140 x 240 mm / 2.4 Kg	1,956 Lms+	73.81	72.8 Ra+	5198 K	50,000 hrs
OB-FL- 35 W	35 w	100-277 V	178 x 140 x 240 mm / 2.4 Kg	2,715 Lms+	70.87	73.0 Ra+	5233 K	50,000 hrs
OB-FL- 45 W	45 w	100-277 V	178 x 140 x 240 mm / 2.4 Kg	2,816 Lms+	67.61	73.0 Ra+	5233 K	50,000 hrs

## Key Features

- High CRI
- Warm / Natural / Cool / Cold white
- No UV or IR in the beam
- Easy to install and operate
- Light is soft and uniform, safe to eyes

## Green Features

  
**Product Certification**  
 Certified under UL RoHS and DLC regulations

• **Energy saving with high efficiency**  
 Significant energy saving up to 80% compared to conventional metal halogen lamp & fixture.



• **Cost saving with longer time**  
 Low maintenance cost due to incredibly long lifetime of 50,000 hours.



• **Environmental friendly light**  
 Eco-friendly light source, which contains no mercury, no lead and low CO2 emission.



**Outback**  
 A+Prismtech Outback Lights Co.

### Contact us NOW!

Tel: +86-755-8324 3047  
 Fax: +86-755-8324 3048

Skype: prismoutbacklight  
 Email: annie.chen@prismoutbacklight.com

www.prismoutbacklight.com



# LED Wall Light Shoe Box Mini

OB-FL- 80 w | 100 w | 120 w | 150 w



- Engineered with proprietary binned LM-80-rated LEDs chips providing uniform color consistency
- Operates on universal voltage system with self contained driver meeting UL 1310 UL 48 Class 2
- Die cast aluminium housing for excellent thermal control
- Instant start, NO flickering, NO humming
- Mountable to recessed outlet boxes or directly on surfaces
- High-quality shatter-resistant borosilicate lens
- Dusk-to-dawn & occupancy sensor optional

Model	Input Wattage	Input Voltage Range V	Dimensions & Weight	Delivered Lumens (lms)	Efficacy (Lm/W)	Color Rendering Index CRI	Color Temperature CCT	Life Rating
OB-FL- 80 W	80 w	100-277 V	309 x 127 x 432 mm / 9.6 Kg	9,956 Lms+	123.21	70.7 Ra+	5186 K	50,000 hrs
OB-FL- 100 W	100 w	100-277 V	309 x 127 x 432 mm / 9.8 Kg	11,299 Lms+	119.06	71.4 Ra+	5254 K	50,000 hrs
OB-FL- 120 W	120 w	100-277 V	309 x 127 x 432 mm / 10.0 Kg	13,656 Lms+	113.61	71.8 Ra+	5306 K	50,000 hrs
OB-FL- 150 W	150 w	100-277 V	309 x 127 x 432 mm / 10.5 Kg	16,747 Lms+	107.08	72.5 Ra+	5367 K	50,000 hrs


## Key Features


- High CRI
- Warm / Natural / Cool / Cold white
- No UV or IR in the beam
- Easy to install and operate
- Light is soft and uniform, safe to eyes


## Green Features




  
**Product Certification**  
 Certified under UL RoHS and DLC regulations


  
**• Energy saving with high efficiency**  
 Significant energy saving up to 80% compared to conventional metal halogen lamp & fixture.


  
**• Cost saving with longer time**  
 Low maintenance cost due to incredibly long lifetime of 50,000 hours.


  
**• Environmental friendly light**  
 Eco-friendly light source, which contains no mercury, no lead and low CO2 emission.


  
**A+Prismtech Outback Lights Co.**

### Contact us NOW!

Tel: +86-755-8324 3047  
 Fax: +86-755-8324 3048

Skype: prismoutbacklight  
 Email: annie.chen@prismoutbacklight.com

www.prismoutbacklight.com

